



# Electronic Overload Relays

## PRICE AND SELECTION GUIDE

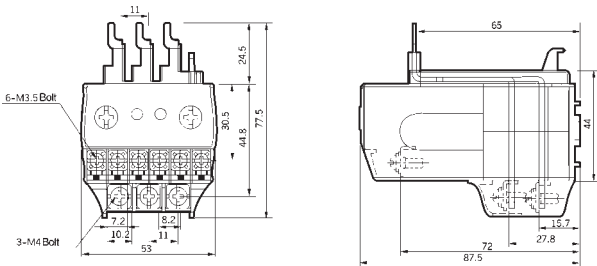
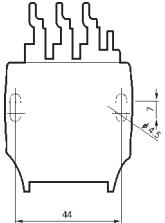
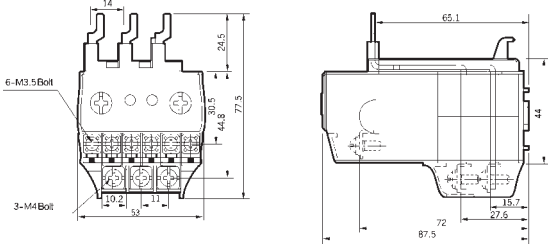
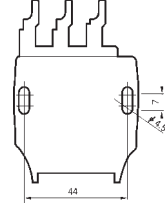
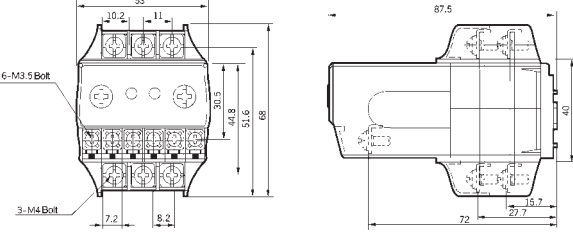
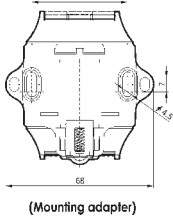
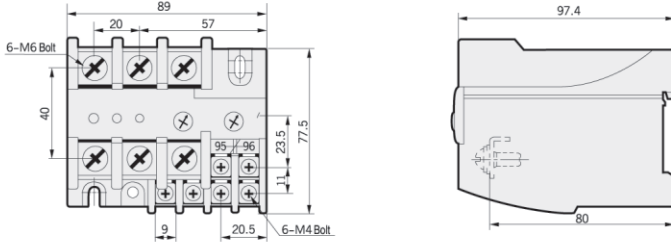
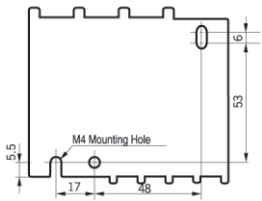
MODEL NUMBER	OVERLOAD RANGE	LIST PRICE
<b>CONTACTOR RSC - 9, 12, 18 &amp; 22 - DIRECT MOUNT TO RSC CONTACTOR ONLY</b>		<b>SPE-22</b>
☞ SPE-22-1A5	.3~1.5	CF
☞ SPE-22-5A	1-5	CF
☞ SPE-22-22A	4.4~22	CF
<b>CONTACTOR RSC - 32 &amp; 40 - DIRECT MOUNT TO RSC CONTACTOR ONLY</b>		<b>SPE-40</b>
☞ SPE-40-40A	8~40	CF
<b>ALL CONTACTORS - SEPARATE MOUNT*</b>		<b>SPE-B22</b>
☞ SPE-B22-1A5	.3~1.5	CF
☞ SPE-B22-5A	1-5	CF
☞ SPE-B22-22A	4.4~22	CF
☞ SPE-B40-40A	8~40	CF
<b>ALL CONTACTORS - SEPARATE MOUNT*</b>		<b>SPE-80S</b>
☞ SPE-80S	16-80	CF

- Separate 120vac control source is required for operation.
- \* Optional CT's can be used for higher current ratings.
- ☞ Web stocked



# Mounting Dimensions

## SPE ELECTRONIC OVERLOAD RELAYS

TYPE AVAILABLE	EXTERNAL DIMENSIONS	MOUNTING DIMENSIONS
<b>SPE-22</b>	 <p>Terminal configuration: See Figure 1 on the next page</p>	0.18 kg 
<b>SPE-40</b>	 <p>Terminal configuration: See Figure 1 on the next page</p>	0.20 kg/0.22 kg 
<b>SPE-B22 SPE-B40</b>	 <p>Terminal configuration: See Figure 2 on the next page</p>	0.19 kg/0.21 kg  <p>(Mounting adapter)</p>
<b>SPE-80S</b>	 <p>Terminal configuration: See Figure 2 on the next page</p>	0.42 kg/0.46 kg  <p>M4 Mounting Hole</p>

• Dimensions are in mm (1 inch = 25.4 mm) .