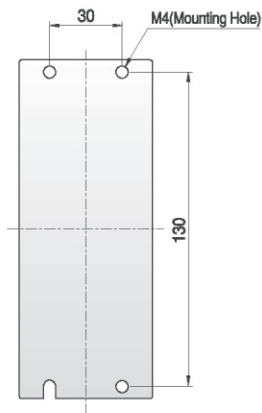
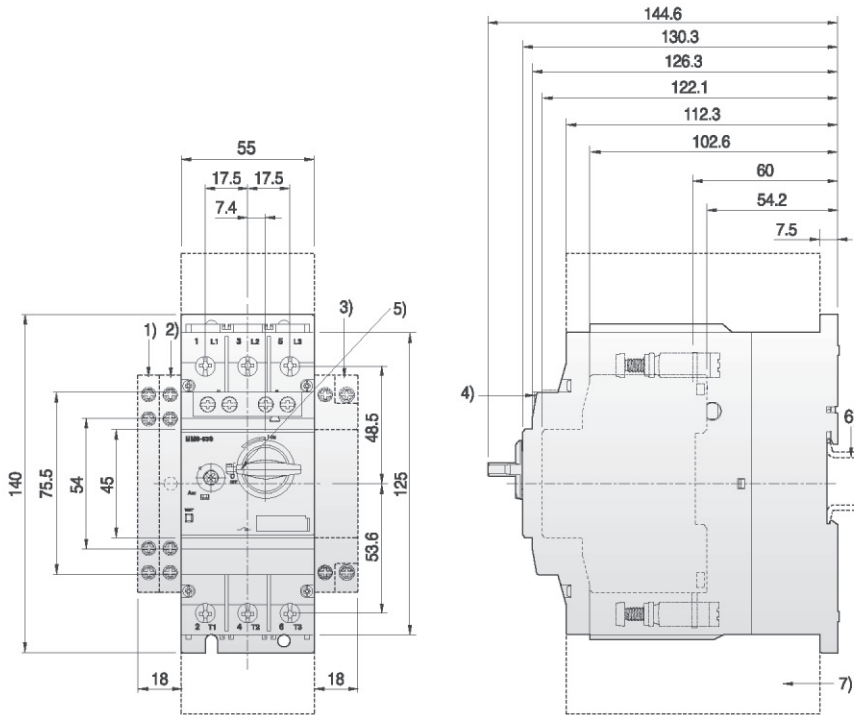


# Motor Starter Protector Dimensions

## RMSP 63H



### Height of arcing spaces (clearance from earthed parts)

[M]	240	415	460	525	690
[mm]	50	50	50	50	50

### Arcing spaces for limiter function

[M]	525		690	
	LEFT/RIGHT	TOP/BOTTOM	LEFT/RIGHT	TOP/BOTTOM
[mm]	10	50	10	50

- Dimensions are in mm (1 inch = 25.4 mm) .