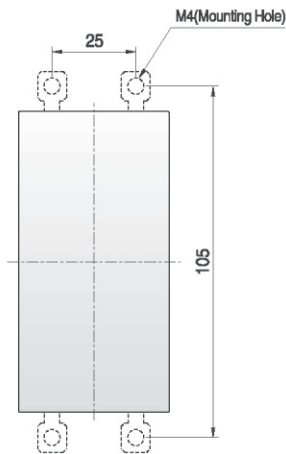
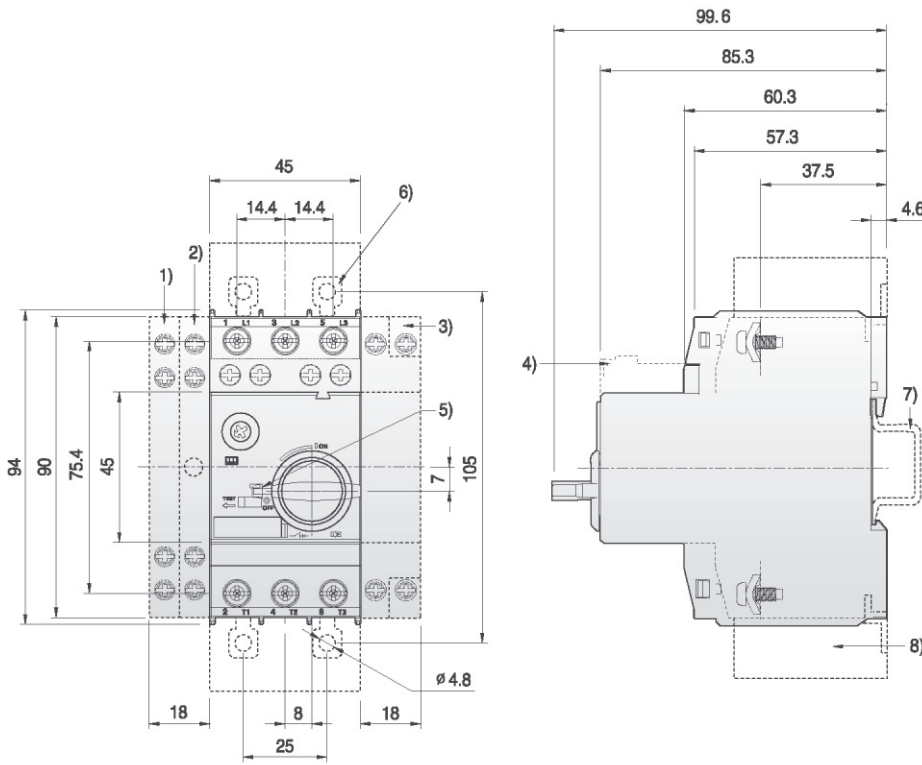


Motor Starter Protector Dimensions

RMSP 32H



Height of arcing spaces (clearance from earthed parts)

[V]	240	415	460	525	690
[mm]	30	30	30	30	30

Arcing spaces for limiter function

[V]	525		690	
	LEFT/RIGHT	TOP/BOTTOM	LEFT/RIGHT	TOP/BOTTOM
[mm]	10	40	30	50

- Dimensions are in mm (1 inch = 25.4 mm) .