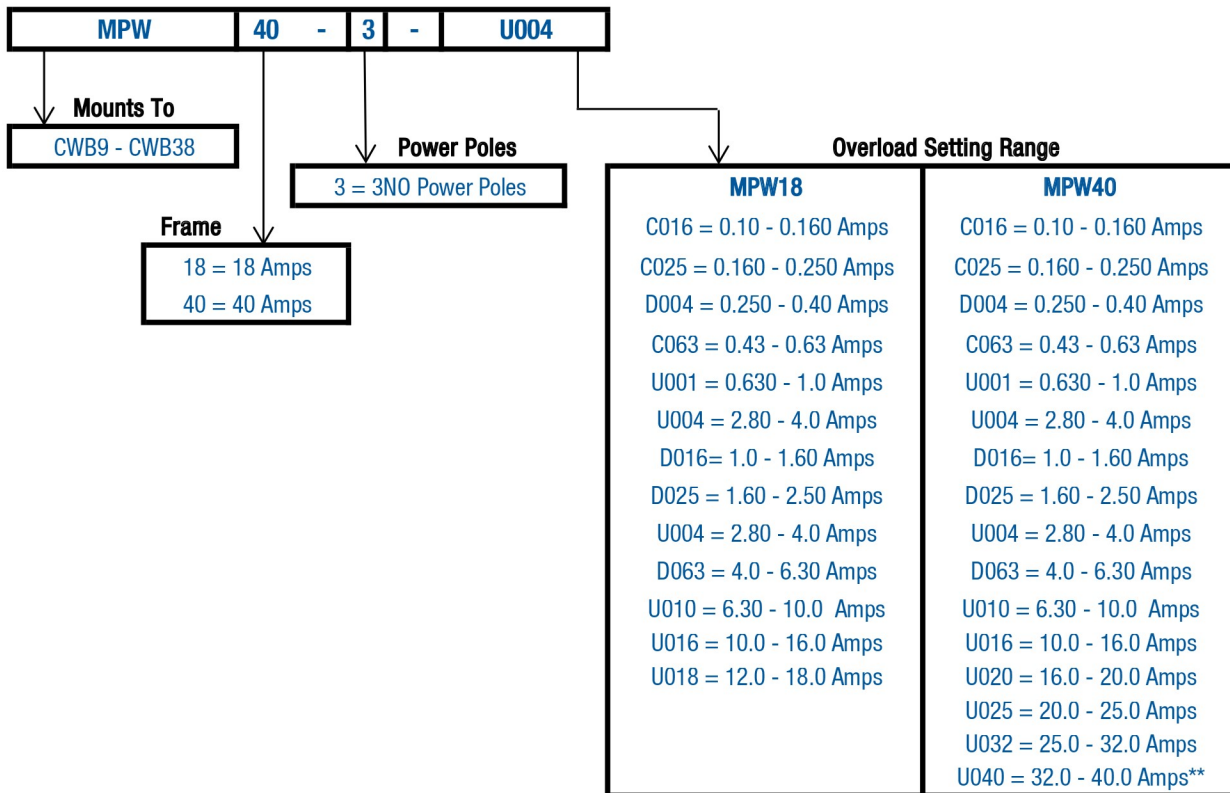


MPW18/40 Catalog Number Structure



*For Reference only. Not intended to create part numbers.

MPW18 Manual Motor Protector - Selection Table

MPW18 Motor Protective Circuit Breaker up to 18 A (Screw Terminal) - Thermomagnetic or Magnetic Only

- With overload and short-circuit protection
- Fixed short-circuit release 13 x I_n
- With phase-failure sensitivity according to IEC 60947-4-1
- With temperature compensation
- For use as main switch (IEC 60947-2)
- Pushbutton operated



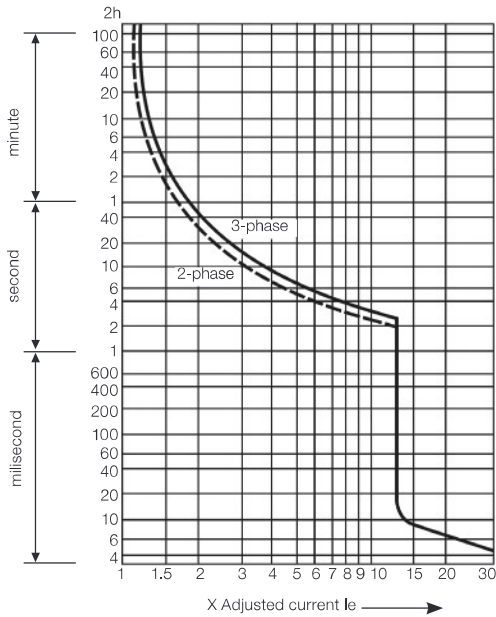
Maximum UL Horsepower						Thermal Setting [A]	Short-Circuit interruption capacity		Catalog Number	List Price	Multiplier Symbol
Single Phase		Three Phase					480V	600V			
115V	230V	200V	230V	460V	575V						
-	-	-	-	-	-	0.10 - 0.16	50kA	10kA	MPW18-3-C016	\$97	Z4
-	-	-	-	-	-	0.16 - 0.25	50kA	10kA	MPW18-3-C025	\$97	Z4
-	-	-	-	-	-	0.25 - 0.40	50kA	10kA	MPW18-3-D004	\$97	Z4
-	-	-	-	-	-	0.40 - 0.63	50kA	10kA	MPW18-3-C063	\$105	Z4
-	-	-	-	-	1/2	0.63 - 1.0	50kA	10kA	MPW18-3-U001	\$105	Z4
-	1/10	-	-	3/4	3/4	1.0 - 1.6	50kA	10kA	MPW18-3-D016	\$105	Z4
-	1/6	1/2	1/2	1	1 1/2	1.6 - 2.5	50kA	10kA	MPW18-3-D025	\$105	Z4
1/8	1/3	3/4	3/4	2	3	2.5 - 4.0	50kA	10kA	MPW18-3-U004	\$105	Z4
1/4	1/2	1	1 1/2	3	5	4.0 - 6.3	50kA	10kA	MPW18-3-D063	\$105	Z4
1/2	1 1/2	2	3	5	7 1/2	6.3 - 10	50kA	5kA	MPW18-3-U010	\$105	Z4
1	2	3	5	10	10	10 - 16	30kA	5kA	MPW18-3-U016	\$105	Z4
1	3	5	5	10	15	12 - 18	30kA	5kA	MPW18-3-U018	\$120	Z4

Note: Horsepower ratings shown in the table are for reference only. Please refer to the Full Load Amps of the Motor for final selection.

MPW Manual Motor Protectors - Characteristics Curves

The tripping characteristic shows the motor circuit breaker trip time in relation to the rated current. The curves show average tolerance range values for an ambient temperature of 20 °C, starting in cold state. Thermal trip time when working in operating temperature is reduced to around 25% of the presented values. Under normal operating conditions, all 3 circuit breaker phases must be conducting.

MPW18 & MPW40



Short-Circuit Current Limitation Curve at 440 V - MPW40

