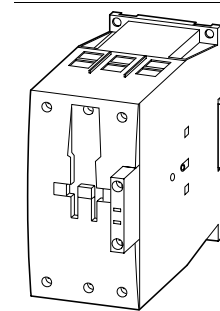
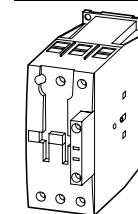
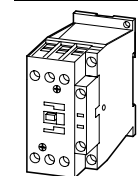
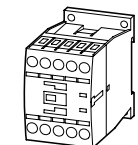


Rated operational current	Max. rating for three-phase motors, 50 – 60 Hz						Conventional free air thermal current $I_{th} = I_e$ AC-1 at 60 °C	Contacts	Contact sequence
	AC-3		AC-4						
380 V 400 V	220 V 230 V	380 V 400 V	660 V 690 V	220 V 230 V	380 V 400 V	660 V 690 V	$I_{th} = I_e$	Open	N/O = Normally open N/C = Normally closed
I_e	P	P	P	P	P	P	A		
A	kW	kW	kW	kW	kW	kW			

Basic units

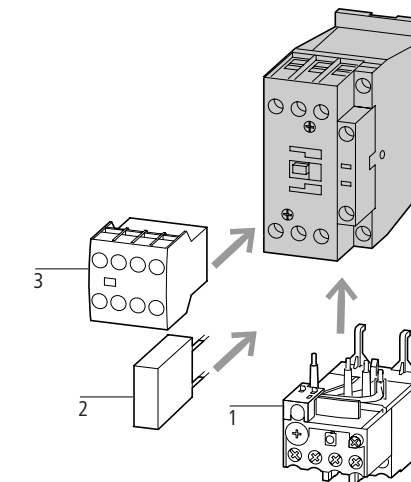
Screw terminals

Pole	Rated operational current	Max. rating for three-phase motors, 50 – 60 Hz						Conventional free air thermal current $I_{th} = I_e$	Contacts	Contact sequence	
		AC-3		AC-4							
4 pole	12	3.5	5.5	6.5	2	3	4.4	20			
	3 pole	7	2.2	3	3.5	1	2.2	2.9	20	1 N/O	
		7	2.2	3	3.5	1	2.2	2.9	20	1 N/C	
		9	2.5	4	4.5	1.5	2.5	3.6	20	1 N/O	
	9	2.5	4	4.5	1.5	2.5	3.6	20	1 N/C		
	12	3.5	5.5	6.5	2	3	4.4	20	1 N/O		
	12	3.5	5.5	6.5	2	3	4.4	20	1 N/C		
	15.5	4	7.5	7	2	3	4.4	20	1 N/O		
	15.5	4	7.5	7	2	3	4.4	20	1 N/C		
	3 pole	18	5	7.5	11	2.5	4.5	6.5	35	1 N/O	
18		5	7.5	11	2.5	4.5	6.5	35	1 N/C		
25		7.5	11	14	3.5	6	8.5	40	1 N/O		
25		7.5	11	14	3.5	6	8.5	40	1 N/C		
32		10	15	17	4	7	10	40	1 N/O		
32		10	15	17	4	7	10	40	1 N/C		
3 pole	40	12.5	18.5	23	5	9	12	50			
	50	15.5	22	30	6	10	14	65			
	65	20	30	35	7	12	17	80			
	72	25	37	35	7	12	17	80			
3 pole	80	25	37	63	12	20	26	90			
	95	30	45	75	16	26	35	110			
	115	37	55	90	17	28	43	130			
	150	48	75	96	20	33	48	160			
	170	52	90	140	20	33	48	185			



Can be combined with auxiliary contact	AC operation		DC operation		Std. pack	Notes
	Part no. Article no.	Price see price list	Part no. Article no.	Price see price list		
	DILM32-XHI.. DILA-XHI(V)..	DILMP20(230V50HZ) 276970		DILMP20(24VDC) 276985		
	DILM32-XHI.. DILA-XHI(V)..	DILM7-10(230V50HZ) 276550		DILM7-10(24VDC) 276565		
	DILA-XHI(V)..	DILM7-01(230V50HZ) 276585		DILM7-01(24VDC) 276600		
	DILM32-XHI.. DILA-XHI(V)..	DILM9-10(230V50HZ) 276690		DILM9-10(24VDC) 276705		
	DILA-XHI(V)..	DILM9-01(230V50HZ) 276725		DILM9-01(24VDC) 276740		
	DILM32-XHI.. DILA-XHI(V)..	DILM12-10(230V50HZ) 276830		DILM12-10(24VDC) 276845		
	DILA-XHI(V)..	DILM12-01(230V50HZ) 276865		DILM12-01(24VDC) 276880		
	DILM32-XHI.. DILA-XHI(V)..	DILM15-10(230V50HZ) 290058		DILM15-10(24VDC) 290073		
	DILA-XHI(V)..	DILM15-01(230V50HZ) 290093		DILM15-01(24VDC) 290108		
	DILM32-XHI.. DILA-XHI(V).. DILM32-XHI11-S	DILM17-10(230V50HZ) 277004		DILM17-10(RDC24) 277018		
	DILA-XHI(V).. DILM32-XHI11-S	DILM17-01(230V50HZ) 277036		DILM17-01(RDC24) 277050		
	DILM32-XHI.. DILA-XHI(V).. DILM32-XHI11-S	DILM25-10(230V50HZ) 277132		DILM25-10(RDC24) 277146		
	DILA-XHI(V).. DILM32-XHI11-S	DILM25-01(230V50HZ) 277164		DILM25-01(RDC24) 277178		
	DILM32-XHI.. DILA-XHI(V).. DILM32-XHI11-S	DILM32-10(230V50HZ) 277260		DILM32-10(RDC24) 277274		
	DILA-XHI(V).. DILM32-XHI11-S	DILM32-01(230V50HZ) 277292		DILM32-01(RDC24) 277306		
	DILM150-XHI(V).. DILM1000-XHI(V)..	DILM40(230V50HZ) 277766		DILM40(RDC24) 277780		
	DILM150-XHI(V).. DILM1000-XHI(V)..	DILM50(230V50HZ) 277830		DILM50(RDC24) 277844		
	DILM150-XHI(V).. DILM1000-XHI(V)..	DILM65(230V50HZ) 277894		DILM65(RDC24) 277908		
	DILM150-XHI(V).. DILM1000-XHI(V)..	DILM72(230V50HZ) 107670		DILM72(RDC24) 107671		
	DILM150-XHI(V).. DILM1000-XHI(V)..	DILM80(230V50HZ) 239402		DILM80(RDC24) 239416		
	DILM150-XHI(V).. DILM1000-XHI(V)..	DILM95(230V50HZ) 239480		DILM95(RDC24) 239510		
	DILM150-XHI(V).. DILM1000-XHI(V)..	DILM115(RAC240) 239548		DILM115(RDC24) 239555		
	DILM150-XHI(V).. DILM1000-XHI(V)..	DILM150(RAC240) 239588		DILM150(RDC24) 239591		
	DILM150-XHI(V).. DILM1000-XHI(V)..	DILM170(RAC240) 107013		DILM170(RDC24) 107016		

1 off



Accessories

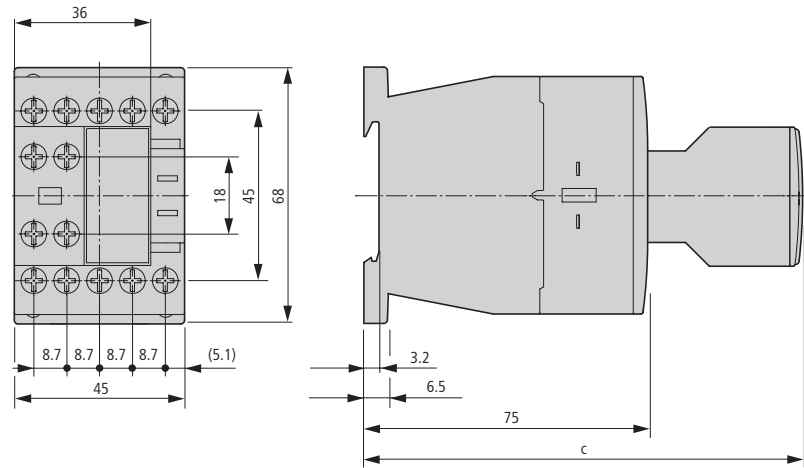
- 1 Overload relay → 6/7
- 2 Suppressor → 5/42
- 3 Auxiliary contact module → 5/28
- Further actuating voltages → 5/56
- Accessories → 5/43

The DC operated contactors have integral suppressor circuits (DILM7 - DILM15: Varistor).
Contactors DILM15, DILM150 and DILM170 have a built-in suppressor circuit.
Mirror contact for DILM7-01 to DILM32-01
Contactor contact according to EN 50012

Contactor with auxiliary contact module

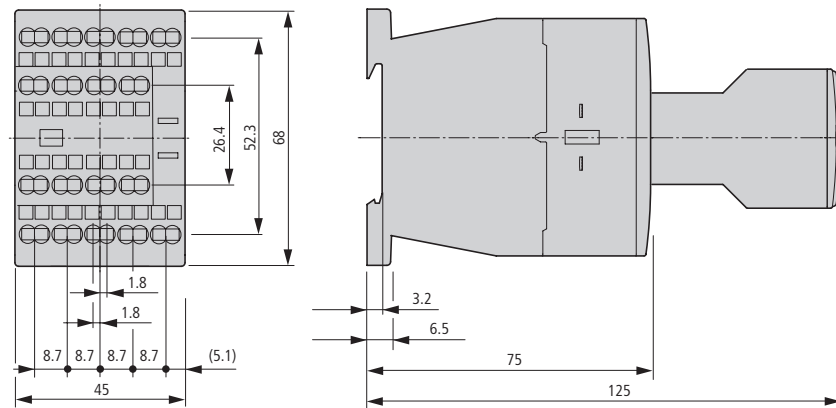
DILM7...DILM15

DILA...



Part no.	c
DILM32-XHI	117
DILA-XHI	117
DILA-XHI...T	125

DILM7...DILM12
DILAC...



DILM17...DILM32
DILM17...DILM32
DILMF8...DILMF32

