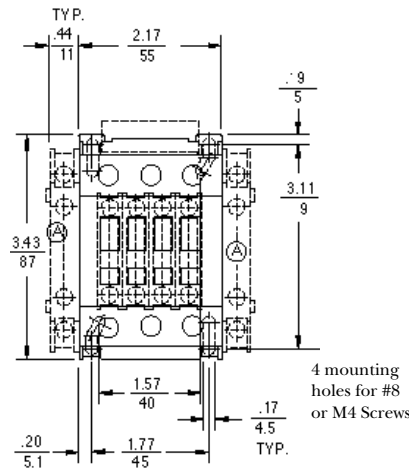


# 3-Pole Contactors 25 HP (460V) 34 FLA

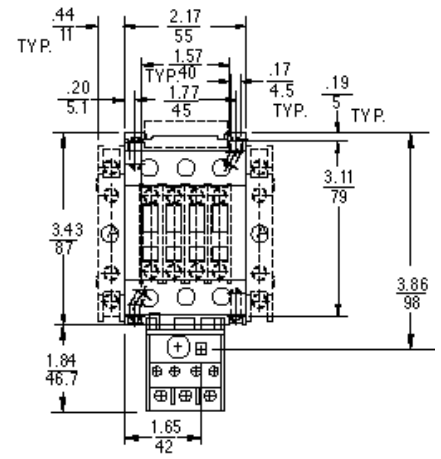
### Legend and Notes for Illustration

- Ⓐ Extra Auxiliary Contacts, Side Mounted (if used)
- Ⓑ Extra Auxiliary Contacts, Front Mounted (if used)
- Ⓒ Pneumatic Timer (if used)
- Ⓓ Mechanical Latch (if used)
- Ⓔ Transient Voltage Suppressor

Add ½ inch for electrical clearance to enclosure.



**Contactor - Front View**



**Starter - Front View**

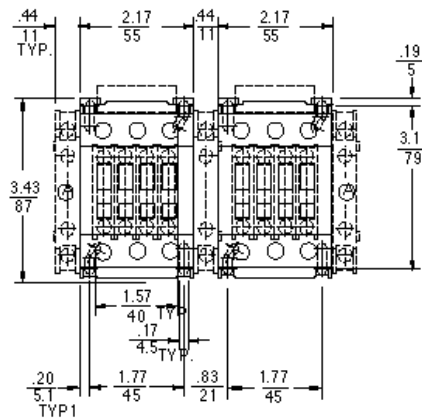
### Engineering Outline Drawings

#### AC

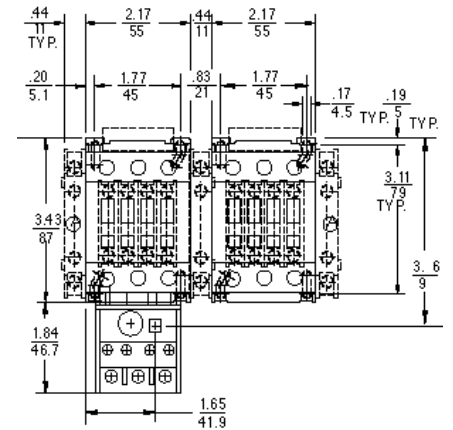
Contactor .....	55-215789
Starter .....	55-215827
Reversing Contactor .....	55-215800
Reversing Starter .....	55-215801

#### DC

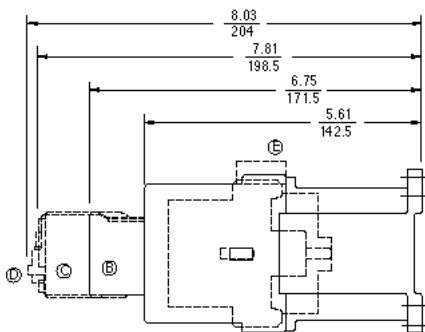
Contactor .....	55-215838
Starter .....	55-215870
Reversing Contactor .....	55-215778
Reversing Starter .....	55-215815



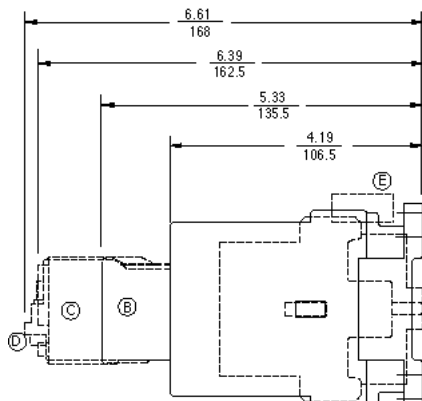
**Reversing Contactor - Front View**



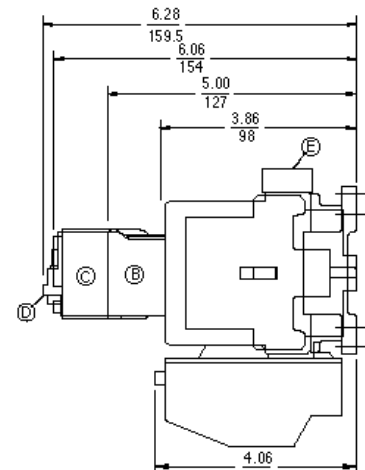
**Reversing Starter - Front View**



**DC Contactor - Side View**



**AC Contactor - Side View**



**AC Starter - Side View**