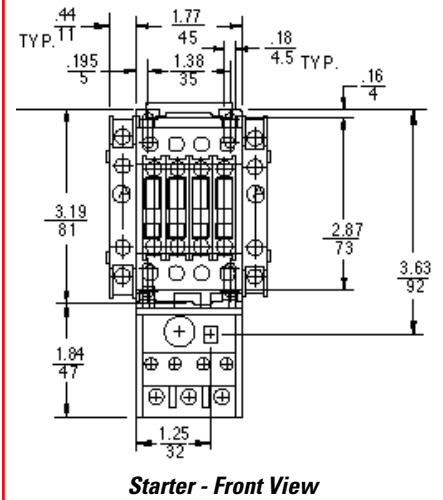
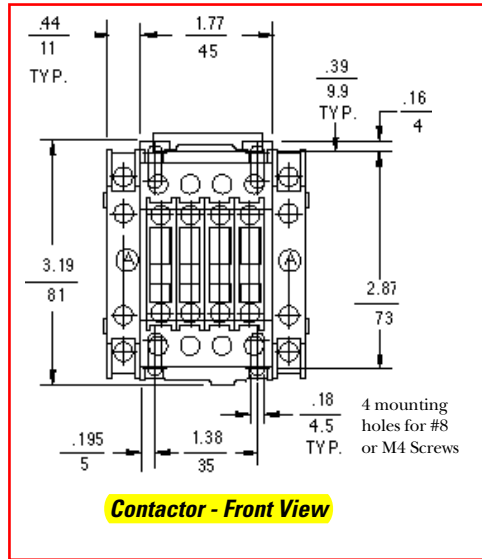


3-Pole Contactors 5-10 HP (460V) 10-17.5 FLA

Legend and Notes for Illustration

- Ⓐ Extra Auxiliary Contacts, Side Mounted (if used)
- Ⓑ Extra Auxiliary Contacts, Front Mounted (if used)
- Ⓒ Pneumatic Timer (if used)
- Ⓓ Mechanical Latch (if used)
- Ⓔ Transient Voltage Suppressor

Add ½ inch for electrical clearance to enclosure.



Engineering Outline Drawings

AC

- Contactor55-215782
- Starter55-215824
- Reversing Contactor55-215790
- Reversing Starter55-215791

DC

- Contactor55-215835
- Starter55-215765
- Reversing Contactor55-215779
- Reversing Starter55-215803

