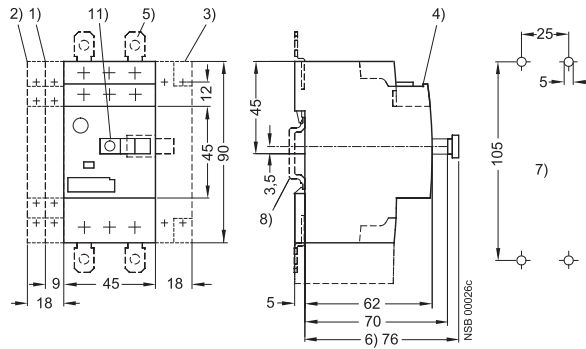




Dimension drawings

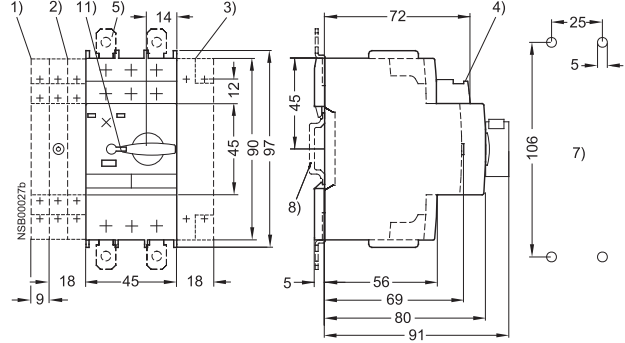
3RV1 MSP, size S00

3RV10 11



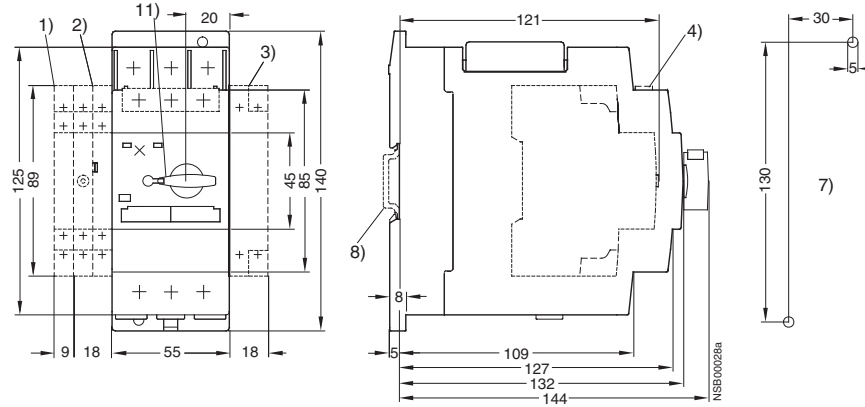
3RV1 MSP, size S0

3RV10 21



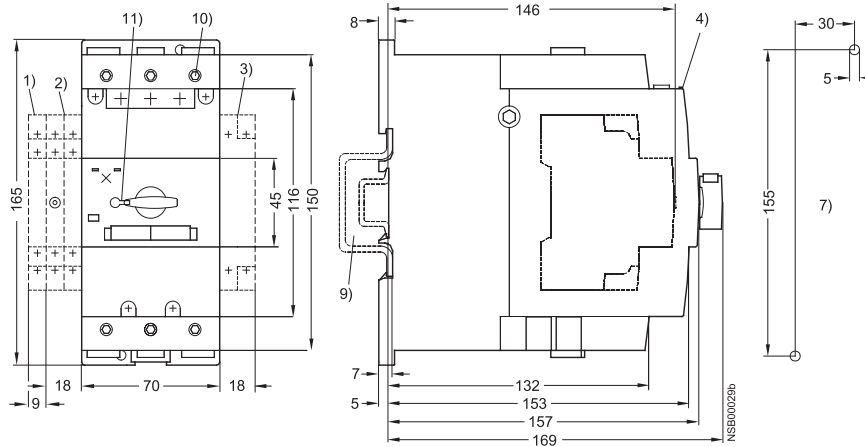
3RV1 MSP, size S2

3RV10 31



3RV1 MSP, size S3

3RV10 4



- 1) 2-pole lateral auxiliary switch
- 2) Signalling switch (S0-S3) or lateral auxiliary switch, 4-pole (S00-S3)
- 3) Auxiliary releases
- 4) Transverse auxiliary switch
- 5) Push-in lugs for screw mounting
- 6) Only for undervoltage release with leading auxiliary switch
- 7) Drilling template
- 8) 35 mm standard mounting rail acc. to EN 50 022
- 9) Mounting on 35 mm standard mounting rail, 15 mm high, acc. to EN 50 022 or on 75 mm standard mounting rail acc. to EN 50 023
- 10) 4 mm hexagon socket screw
- 11) Lockable in 0 position with shackle diameter 3.5 to 4.5 mm

3RV1 Motor Starter Protectors

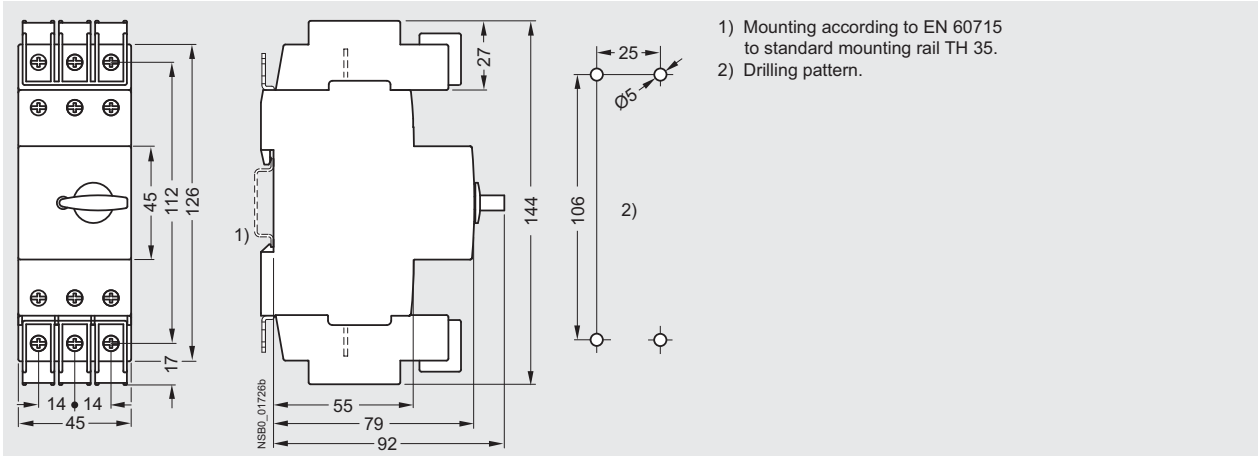
General Data



3RV1
up to 100 A

3RV17 and 3RV18 circuit breakers, size S0

3RV17 21, 3RV18 21



3RV17 circuit breakers, size S3

3RV17 42

