

Overload Relays

Thermal Overload Relays

3RU11, 3RU21 up to 100 A,
CLASS 10

• Revised •
04/20/15



Selection and ordering data

Features and technical characteristics

- Auxiliary contacts: 1 NO + 1 NC
- Manual/automatic RESET
- Switching position indication
- CLASS 10
- TEST function
- STOP button
- Phase failure sensitivity
- Sealable cover: optional in S00, S0 & S2. Integrated in S3

Ordering information

- Replace the (••) with the letter Number combination from the Terminal types I table
- Replace the (††) with the letter Number combination from the Terminal types II table
- For description, [see page 3/8](#)
- For technical data, [see pages 3/12-3/15](#)
- For circuit diagrams, [see page 3/15](#)
- For dimension drawings, [see page 3/16-3/17](#).

| •• Terminal Types I | | | †† Terminal Types II | | |
|------------------------|---------------------|-----|------------------------|---------------------|-----|
| Type | Mounting Type | Ltr | Type | Mounting Type | Ltr |
| Screw | Direct to Contactor | B0 | Screw | Direct to Contactor | B0 |
| Screw ¹⁾ | Stand Alone | B1 | Screw ⁴⁾ | Stand Alone | B1 |
| Spring ²⁾ | Direct to Contactor | C0 | Spring ³⁾ | Direct to Contactor | D0 |
| Spring ¹⁾²⁾ | Stand Alone | C1 | Spring ³⁾⁴⁾ | Stand Alone | D1 |
| Ring Lug | Direct to Contactor | J0 | | | |



3RU2116-1GB0



3RU2116-1GC0



3RU2126-4NB0



3RU2136-4RB1



3RU1146-4DB0

Thermal Overload Relays up to 40A Frame Size S00 and S0 ••

| Setting Range | Order No. | Setting Range | Order No. | Weight approx. (screw/spring) kg |
|---|--------------|---------------|--------------|----------------------------------|
| A | | A | | |
| Frame Size S00: For mounting directly to 3RT201 contactors or for stand-alone installation | | | | |
| 0.11 - 0.16 | 3RU2116-0A•• | 1.4 - 2 | 3RU2116-1B•• | 0.13/0.15 |
| 0.14 - 0.2 | 3RU2116-0B•• | 1.8 - 2.5 | 3RU2116-1C•• | |
| 0.18 - 0.25 | 3RU2116-0C•• | 2.2 - 3.2 | 3RU2116-1D•• | |
| 0.22 - 0.32 | 3RU2116-0D•• | 2.8 - 4 | 3RU2116-1E•• | |
| 0.28 - 0.4 | 3RU2116-0E•• | 3.5 - 5 | 3RU2116-1F•• | 0.13/0.15 |
| 0.35 - 0.5 | 3RU2116-0F•• | 4.5 - 6.3 | 3RU2116-1G•• | |
| 0.45 - 0.63 | 3RU2116-0G•• | 5.5 - 8 | 3RU2116-1H•• | |
| 0.55 - 0.8 | 3RU2116-0H•• | 7 - 10 | 3RU2116-1J•• | |
| 0.7 - 1 | 3RU2116-0J•• | 9 - 12.5 | 3RU2116-1K•• | 0.13/0.15 |
| 0.9 - 1.25 | 3RU2116-0K•• | 11 - 16 | 3RU2116-4A•• | |
| 1.1 - 1.6 | 3RU2116-1A•• | | | |
| Frame Size S0: For mounting directly to 3RT202 contactors or for stand-alone installation | | | | |
| 1.8 - 2.5 | 3RU2126-1C•• | 11 - 16 | 3RU2126-4A•• | 0.16/0.22 |
| 2.2 - 3.2 | 3RU2126-1D•• | 14 - 20 | 3RU2126-4B•• | |
| 2.8 - 4 | 3RU2126-1E•• | 17 - 22 | 3RU2126-4C•• | |
| 3.5 - 5 | 3RU2126-1F•• | 20 - 25 | 3RU2126-4D•• | |
| 4.5 - 6.3 | 3RU2126-1G•• | 23 - 28 | 3RU2126-4N•• | 0.16/0.22 |
| 5.5 - 8 | 3RU2126-1H•• | 27 - 32 | 3RU2126-4E•• | |
| 7 - 10 | 3RU2126-1J•• | 30 - 36 | 3RU2126-4P•• | |
| 9 - 12.5 | 3RU2126-1K•• | 34 - 40 | 3RU2126-4F•• | |

Thermal Overload Relays up to 100A Frame Size S2 and S3 ††

| Setting Range | Order No. | Setting Range | Order No. | Weight approx. (screw/spring) kg |
|---|--------------|---------------|--------------|----------------------------------|
| A | | A | | |
| Frame Size S2: For mounting directly to 3RT203 contactors⁴⁾ | | | | |
| 22 - 32 | 3RU2136-4E†† | 47 - 57 | 3RU2136-4Q†† | 0.34 |
| 28 - 40 | 3RU2136-4F†† | 54 - 65 | 3RU2136-4J†† | |
| 36 - 45 | 3RU2136-4G†† | 62 - 73 | 3RU2136-4K†† | |
| 40 - 50 | 3RU2136-4H†† | 70 - 80 | 3RU2136-4R†† | |
| Frame Size S3: For mounting directly to 3RT104 contactors⁴⁾ | | | | |
| 18 - 25 | 3RU1146-4D†† | 45 - 63 | 3RU1146-4J†† | 0.55 |
| 22 - 32 | 3RU1146-4E†† | 57 - 75 | 3RU1146-4K†† | |
| 28 - 40 | 3RU1146-4F†† | 70 - 90 | 3RU1146-4L†† | |
| 36 - 50 | 3RU1146-4H†† | 80 - 100 | 3RU1146-4M†† | |

- 1) Not available for size S0 3RU212 with current setting range below 14 A.
- 2) Size S00 and S0: main and auxiliary conductor terminals are spring-type.
- 3) Size S2 and S3 auxiliary terminals are spring-type only. Main conductor terminals are screw.
- 4) 3RU Overloads in S2 and S3 frame are available preassembled with a terminal bracket for standalone mounting. S2 and S3 overloads can also be customer assembled to the terminal bracket (see Accessories).

Overload Relays

Thermal Overload Relays

3RU21 up to 100 A,
CLASS 10

• Revised •
10/18/15



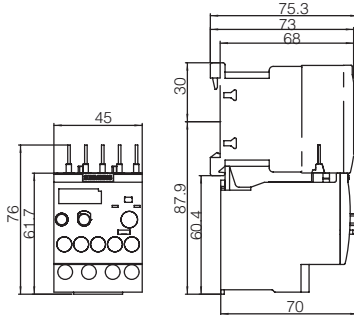
Dimension drawings

Screw connection

Lateral clearance to grounded components: at least 6 mm.

3RU21 16-..B0

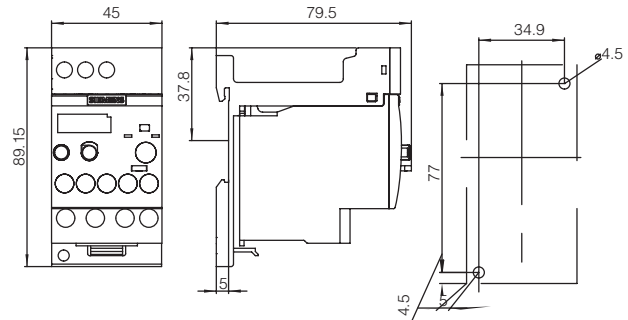
Size S00



3RU21 16-..B1

Size S00

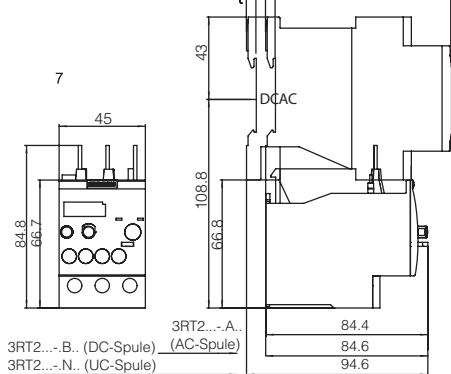
with adapter for installation as a single unit with accessories



3RU21 26-..B.

Size S0

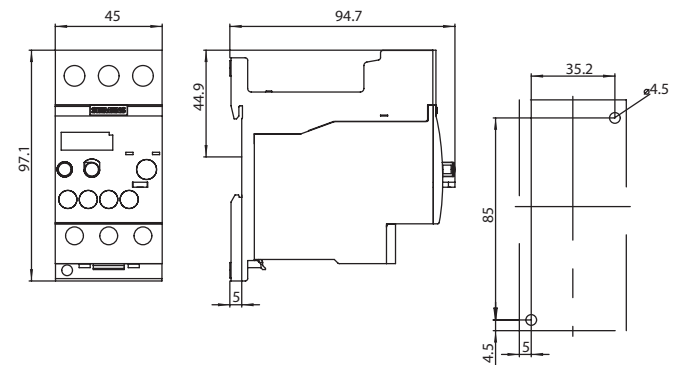
3RT2...-B.. (DC-Spule) 107
3RT2...-N.. (UC-Spule) 102
3RT2...-A.. (AC-Spule) 97
92



3RU21 26-..B1

Size S0

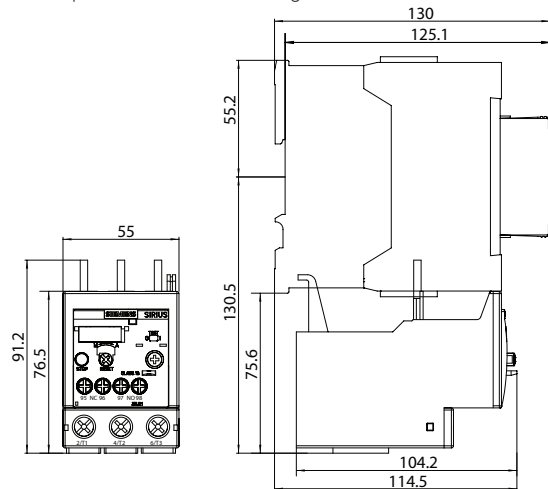
with adapter for installation as a single unit



3RU21 36-..B.

Size S2

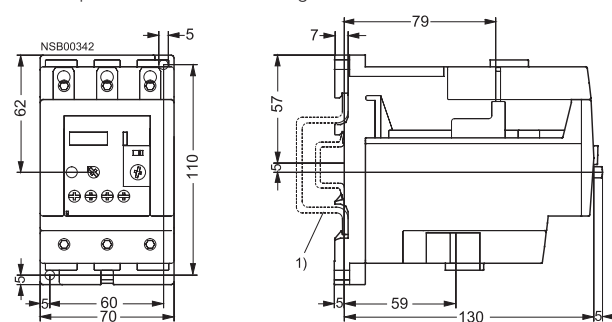
with adapter for installation as a single unit



3RU11 46-..B.

Size S3

with adapter for installation as a single unit



1) For mounting on 35 mm standard mounting rail (15 mm deep) acc. to EN 50 022 or 75 mm standard mounting rail acc. to EN 50023

Dimension drawings "Contactor with built-on overload relay" see contactors and contactor combinations.