



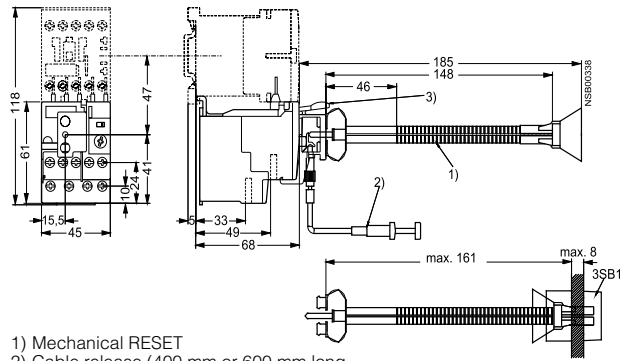
Dimension drawings

Screw connection

Lateral clearance to grounded components: at least 6 mm.

3RU11 16-..B0

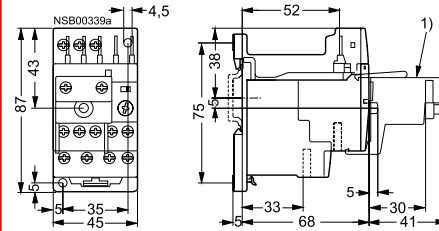
Size S00 with accessories



3RU11 16-..B.

Size S00

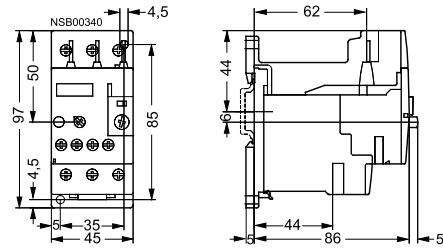
with adapter for installation as a single unit with accessories



3RU11 26-..B.

Size S0

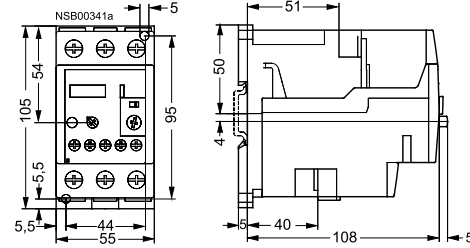
with adapter for installation as a single unit



3RU11 36-..B.

Size S2

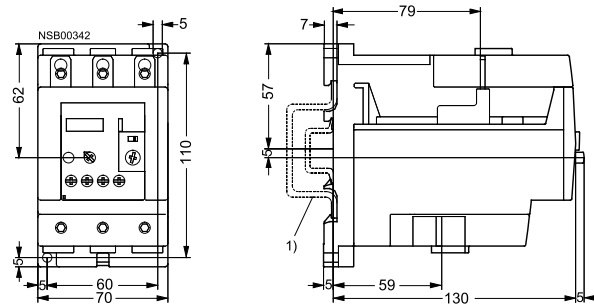
with adapter for installation as a single unit



3RU11 46-..B.

Size S3

with adapter for installation as a single unit



Dimension drawings "Contactor with built-on overload relay" see contactors and contactor combinations.