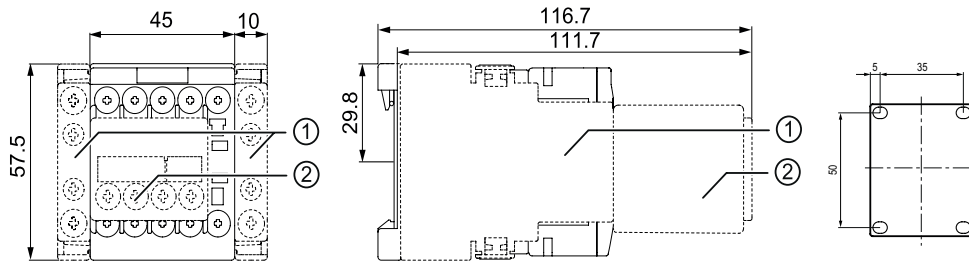


3RT20 contactors, 3-pole

Dimension drawings

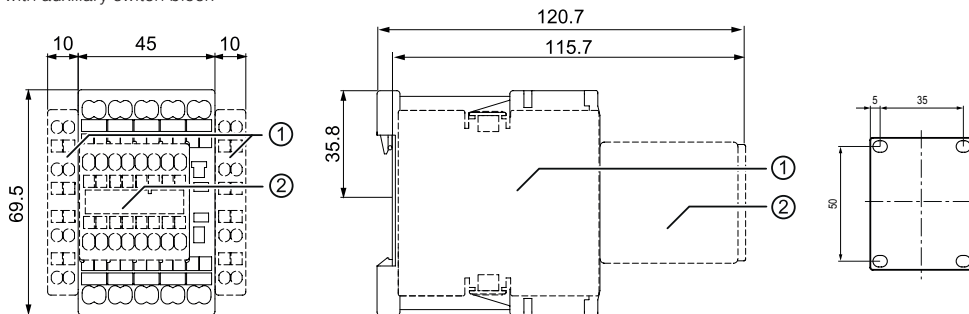
3RT2.1.-1 contactor and 3RH21...-1 contactor relays
Size S00 and NEMA Size 0, screw connection
with surge suppressor and auxiliary switch block



Lateral clearance from
earthed parts = 6 mm

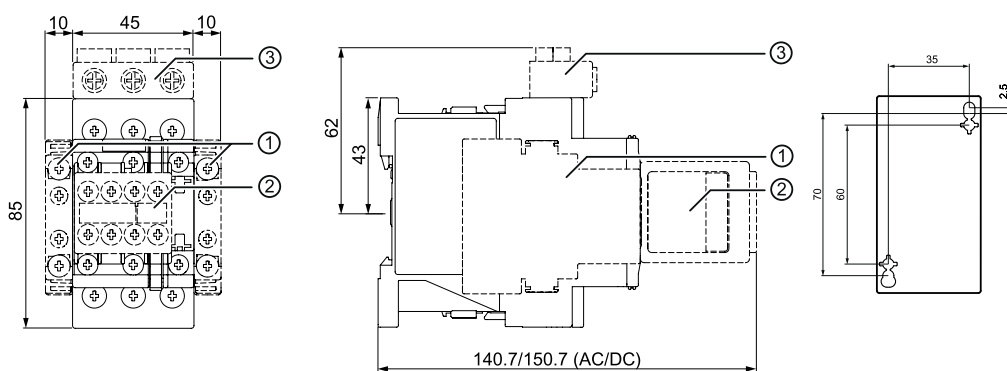
- 1) Laterally mountable auxiliary switch block
3RH2911-1DA.. / -1DE.. / -1EE..
- 2) Auxiliary switch block for mounting on the front
3RH2911-1FA.. / -1GA.. / -1HA.. / -1NF..

3RT2.1.-2 contactor and 3RH21...-2 contactor relay
Size S00, Spring-type terminal connection
with auxiliary switch block



- 1) Laterally mountable auxiliary switch block
3RH2911-2DA.. / -2DE.. / -2EE..
- 2) Auxiliary switch block for mounting on the front
3RH2911-2FA.. / -2GA.. / -2HA.. / -2NF..

3RT2.2.-1 contactors Size S0 and NEMA Size 1,
(screw-type connection system) with auxiliary switch blocks
mounted and other accessories



- 1) Laterally mountable auxiliary switch block
3RH2921-1DA.. / -1DE..
- 2) Auxiliary switch block for mounting on the front
3RH2911-1FA.. / -1GA.. / -1HA.. / -1NF..
- 3) 3-phase infeed terminal
3RV2925-5AB

For specific dimensions, 2D / 3D CAD files and technical data, please visit www.siemens.com/cax