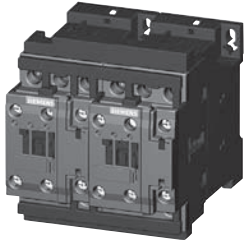


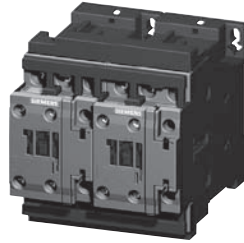
Contactors Assemblies for Switching Motors

3RA23 reversing contactor assemblies

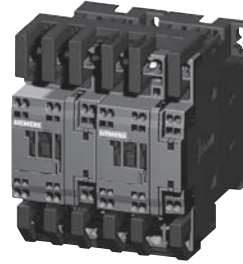
Fully wired and tested contactor assemblies · Size S0 · up to 25 HP



3RA23 24-8XE30-1BB4



3RA23 2.-8XB30-1A..



3RA23 2.-8XB30-2A..

CONTACTORS AND ASSEMBLIES 2

AC data		UL data					Rated control supply voltage U_s at 50/60 Hz	Auxiliary contacts		Screw terminals		Weight approx. kg
Amp ratings	HP ratings	Single-phase HP ratings		Three-phase HP ratings				NO	NC	Spring-type terminals	Order No.	
AC2/AC3		115 V	230 V	200 V	230 V	460 V	575 V					

AC operation, 50/60 Hz

Size S0¹⁾

AC rating	115V	230V	200V	230V	460V	575V	Control voltage	NO	NC	Order No.	Weight
12	1	2	3	3	7 1/2	10	24 AC	2	2	3RA23 24-8XB30-□AC2	0.84/0.94
12	1	2	3	3	7 1/2	10	110/120 AC	2	2	3RA23 24-8XB30-□AK6	0.84/0.94
12	1	2	3	3	7 1/2	10	220/240 AC	2	2	3RA23 24-8XB30-□AP6	0.84/0.94
16	1	3	5	5	10	15	24 AC	2	2	3RA23 25-8XB30-□AC2	0.84/0.94
16	1	3	5	5	10	15	110/120 AC	2	2	3RA23 25-8XB30-□AK6	0.84/0.94
16	1	3	5	5	10	15	220/240 AC	2	2	3RA23 25-8XB30-□AP6	0.84/0.94
25	2	3	7 1/2	7 1/2	15	20	24 AC	2	2	3RA23 26-8XB30-□AC2	0.84/0.94
25	2	3	7 1/2	7 1/2	15	20	110/120 AC	2	2	3RA23 26-8XB30-□AK6	0.84/0.94
25	2	3	7 1/2	7 1/2	15	20	220/240 AC	2	2	3RA23 26-8XB30-□AP6	0.84/0.94
32	2	5	10	10	20	25	24 AC	2	2	3RA23 27-8XB30-□AC2	0.84/0.94
32	2	5	10	10	20	25	110/120 AC	2	2	3RA23 27-8XB30-□AK6	0.84/0.94
32	2	5	10	10	20	25	220/240 AC	2	2	3RA23 27-8XB30-□AP6	0.84/0.94
38	3	5	10	10	25	25	24 AC	2	2	3RA23 28-8XB30-□AC2	0.84/0.94
38	3	5	10	10	25	25	110/120 AC	2	2	3RA23 28-8XB30-□AK6	0.84/0.94
38	3	5	10	10	25	25	220/240 AC	2	2	3RA23 28-8XB30-□AP6	0.84/0.94

DC operation

DC rating	115V	230V	200V	230V	460V	575V	Control voltage	NO	NC	Order No.	Weight
12	1	2	3	3	7 1/2	10	24 DC	2	2	3RA23 24-8XB30-□BB4	1.22/1.32
16	1	3	5	5	10	15	24 DC	2	2	3RA23 25-8XB30-□BB4	1.22/1.32
25	2	3	7 1/2	7 1/2	15	20	24 DC	2	2	3RA23 26-8XB30-□BB4	1.22/1.32
32	2	5	10	10	20	25	24 DC	2	2	3RA23 27-8XB30-□BB4	1.22/1.32
38	3	5	10	10	25	25	24 DC	2	2	3RA23 28-8XB30-□BB4	1.22/1.32

With communication interface²⁾

DC rating	115V	230V	200V	230V	460V	575V	Control voltage	NO	NC	Order No.	Weight
12	1	2	3	3	7 1/2	10	24 DC	2	2	3RA23 24-8XE30-□BB4	1.22/1.32
16	1	3	5	5	10	15	24 DC	2	2	3RA23 25-8XE30-□BB4	1.22/1.32
25	2	3	7 1/2	7 1/2	15	20	24 DC	2	2	3RA23 26-8XE30-□BB4	1.22/1.32
32	2	5	10	10	20	25	24 DC	2	2	3RA23 27-8XE30-□BB4	1.22/1.32
38	3	5	10	10	25	25	24 DC	2	2	3RA23 28-8XE30-□BB4	1.22/1.32

1 Screw terminals
2 Spring-loaded terminals

1
2

For other voltages see page 2/49.

For accessories and spare parts, see page 2/66-2/83.

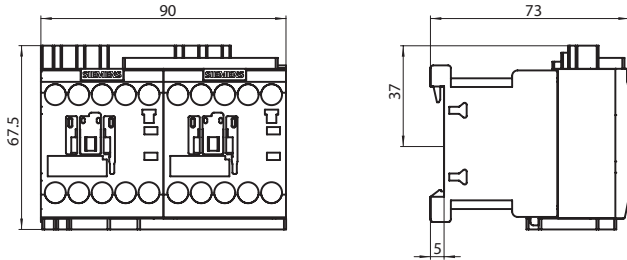
1) For coil operating range, see page 2/49.

2) For use with 3RA27 and 3RA28 communication modules. See pages 2/24 to 2/31.

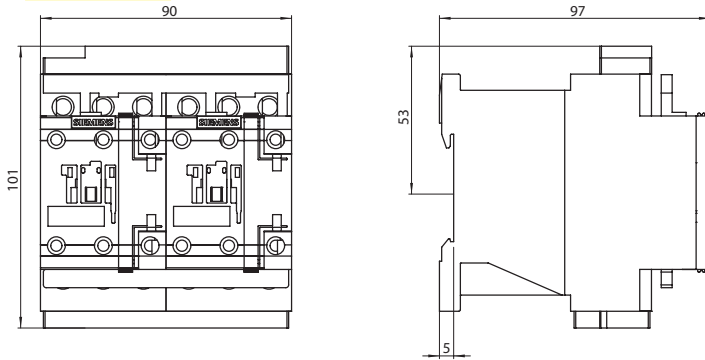
3RA23 contactor assemblies for reversing

Dimension drawings

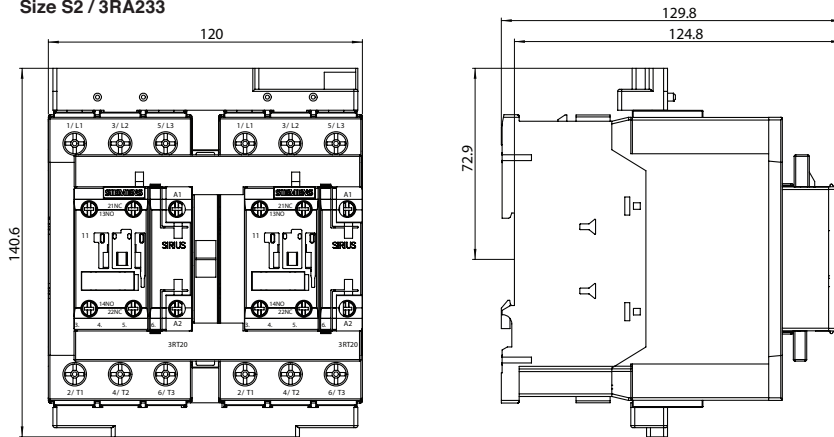
Size S00 / 3RA231



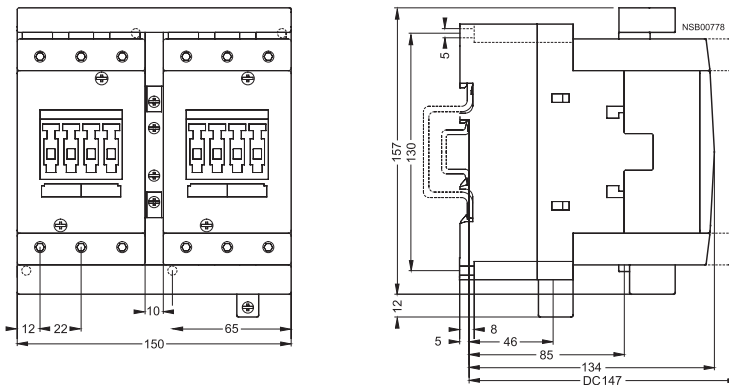
Size S0 / 3RA232



Size S2 / 3RA233



Size S3 / 3RA234



For specific dimensions, 2D / 3D CAD files and technical data, please visit www.siemens.com/cax